

Bushing Data:

Rated Voltage	72.5	kV
Phase to-earth Voltage	72.5	kV
Dry Lightning Impulse	350	kV
Wet Switching Impulse	250	kV
Wet Power frequency AC	150	kV
Routine test 1 min dry 50Hz	175	kV
Rated Output		

MINIMAL

LF170 073-A	Al	H2 (mm)	D2 (mm)
LF170 073-B	Cu	125	60
LF170 073-G	Cu/Ag	125	60
OTHER TYPES ON REQUEST			

END-SHIELD

LF170 046-U EPOXY INSULATED
 LF170 046-UP INSULATED WITH 3 mm PRESSBOARD

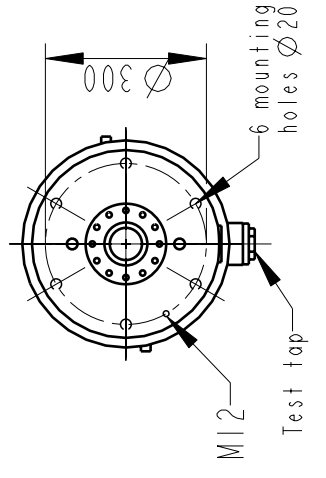
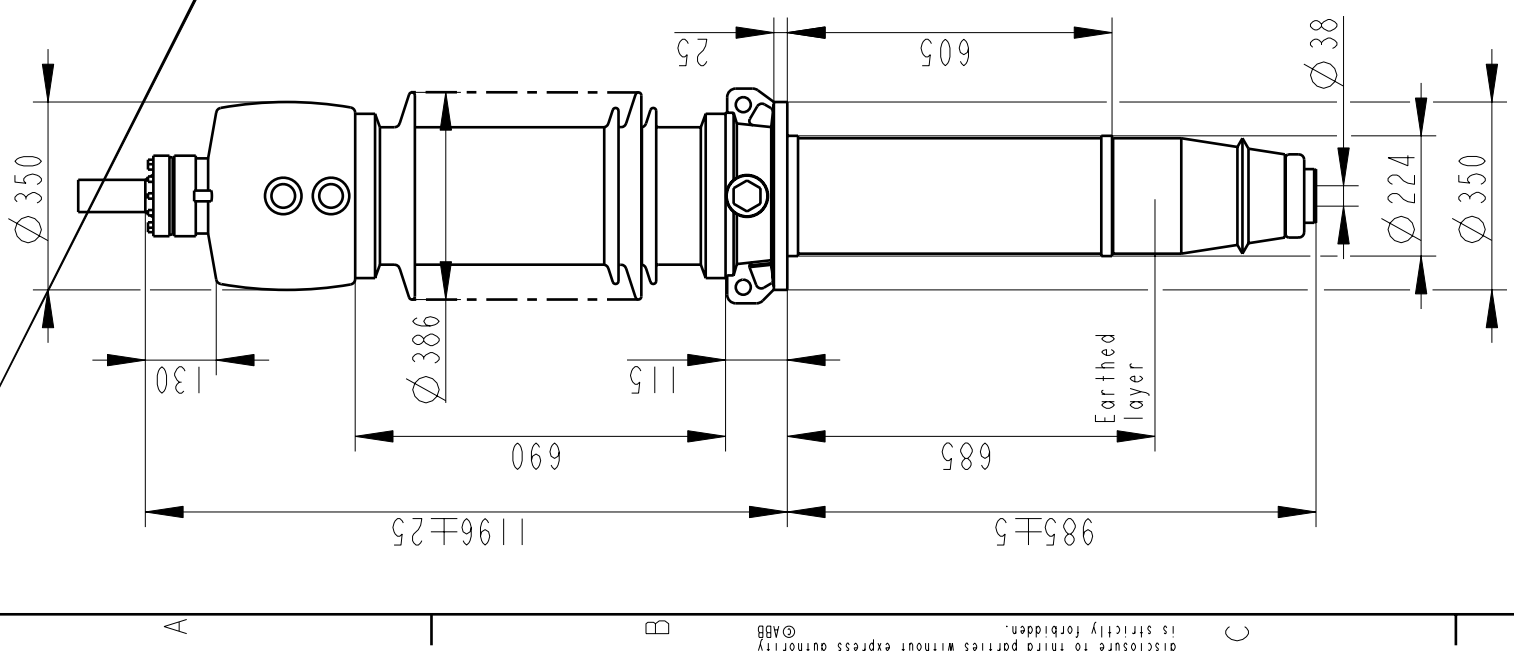
DRAW ROD SYSTEM

LF170 059 LOWER DRAW ROD WITH NI=4 OR NI=6
 LF170 057 UPPER DRAW ROD

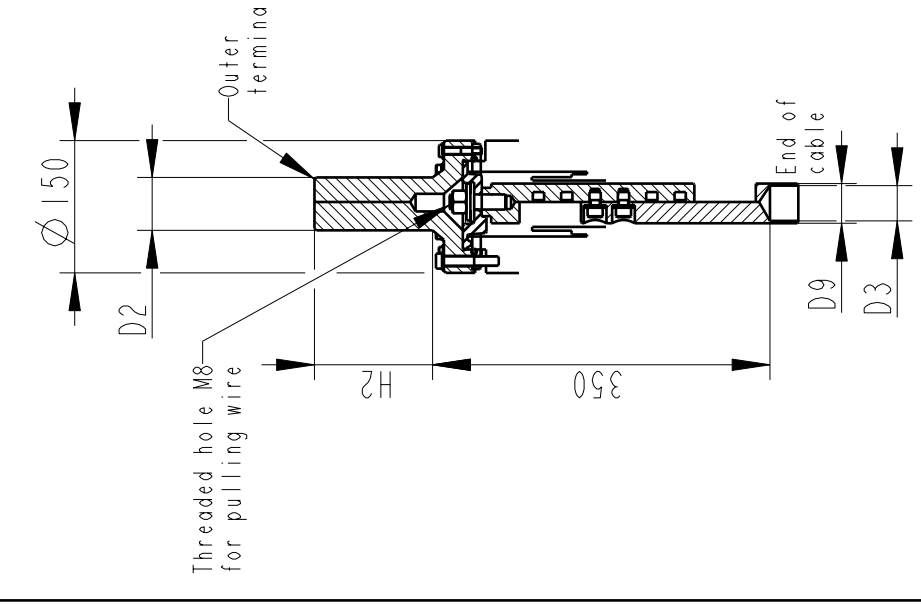
INNER TERMINAL

D3 (mm)	D9 (mm)	Cond. area (mm ²)	Current (A)	IEEC
LF170 056-A	35	-	-	-
LF170 056-B	35	95	390	370
LF170 056-C	35	285	1000	830
*) WITH PILOT HOLE D=5				

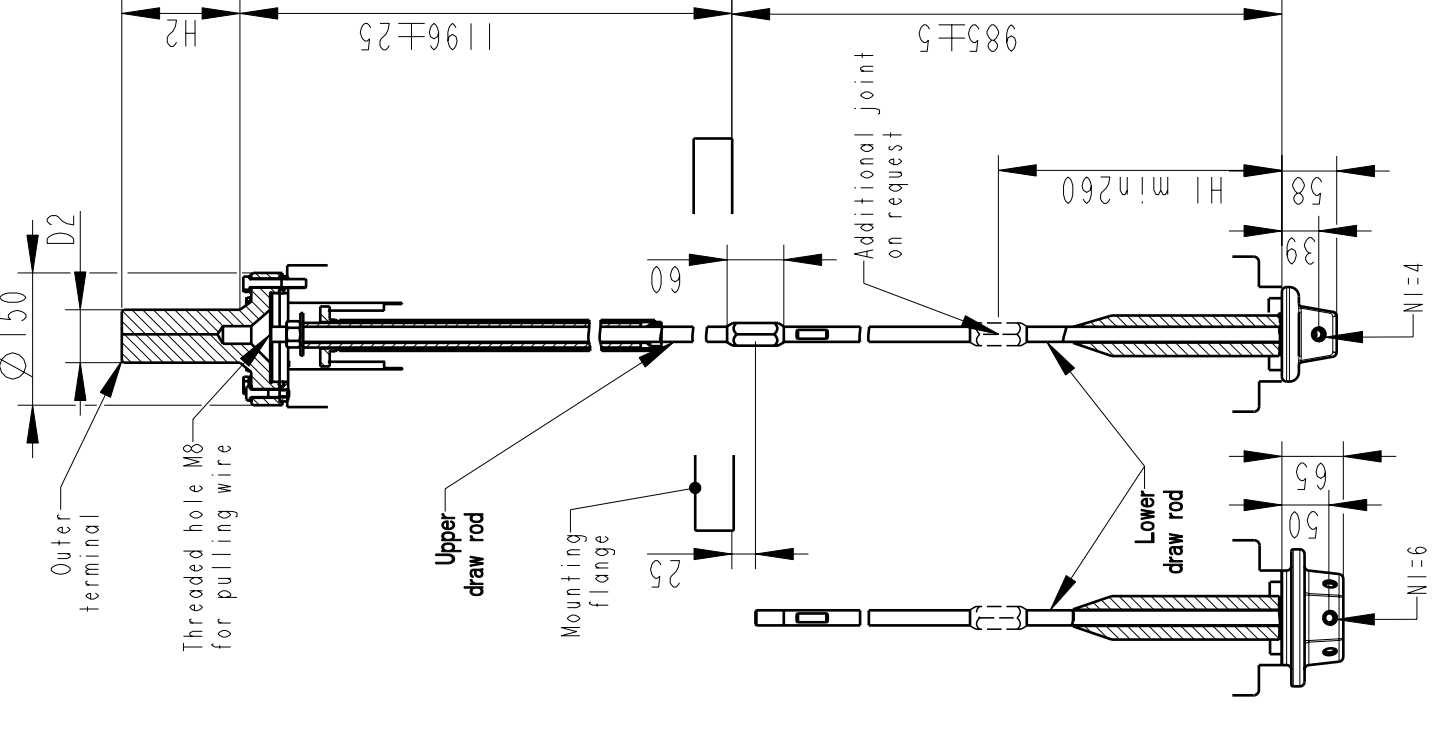
ABB Components		Lutika, Sweden	
No.	kV	A	50-60 Hz
U	SI	IV	AC
M	kg	L	mm
C1	pF	Tanδ	;
C2	pF	Tanδ	;



INNER TERMINAL / OUTER TERMINAL



DRAW ROD SYSTEM / OUTER TERMINAL



NI=Number of holes M12, equipped with thread insert with screw lock, depth 20, for cable lugs.

Based on	Reg. No.	Title
Prepared	Responsible department	GOE-325-250-5000-0.6
Lövnord	COM/BK 0022	
Approved	Take over department	
Johansson	Database	
Design engineering review		
Gutman		
ABB ABB Components		Document No. 2751369-79